

Experience of the Utilization of Energy Saving Technology for the Residential Building in Khabarovsk

Overview



Entrance & Security Room



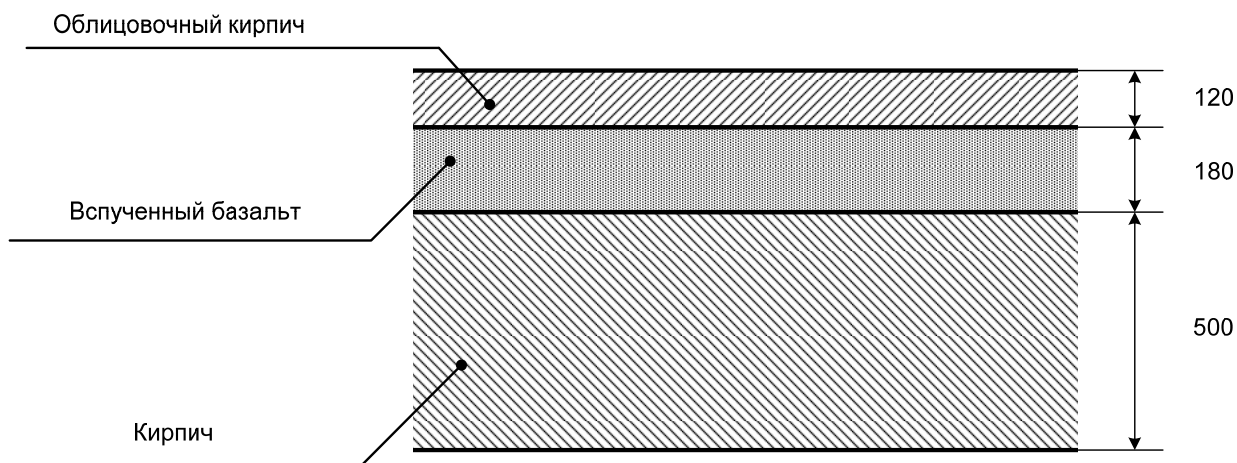
Entrance



Basement car park



Building Wall: Section View



Window Design



Aluminum Frame

Blind

Wood Frame

Radiator heater



Automatic heating section



Water cleaning system



First stage of cleaning water



Backup System



Facility on each floor



Heat recovery ventilator





Air Conditioning System by Earth Thermal Heat Exchange



Dust Exhauster



Drinking Water Purification System

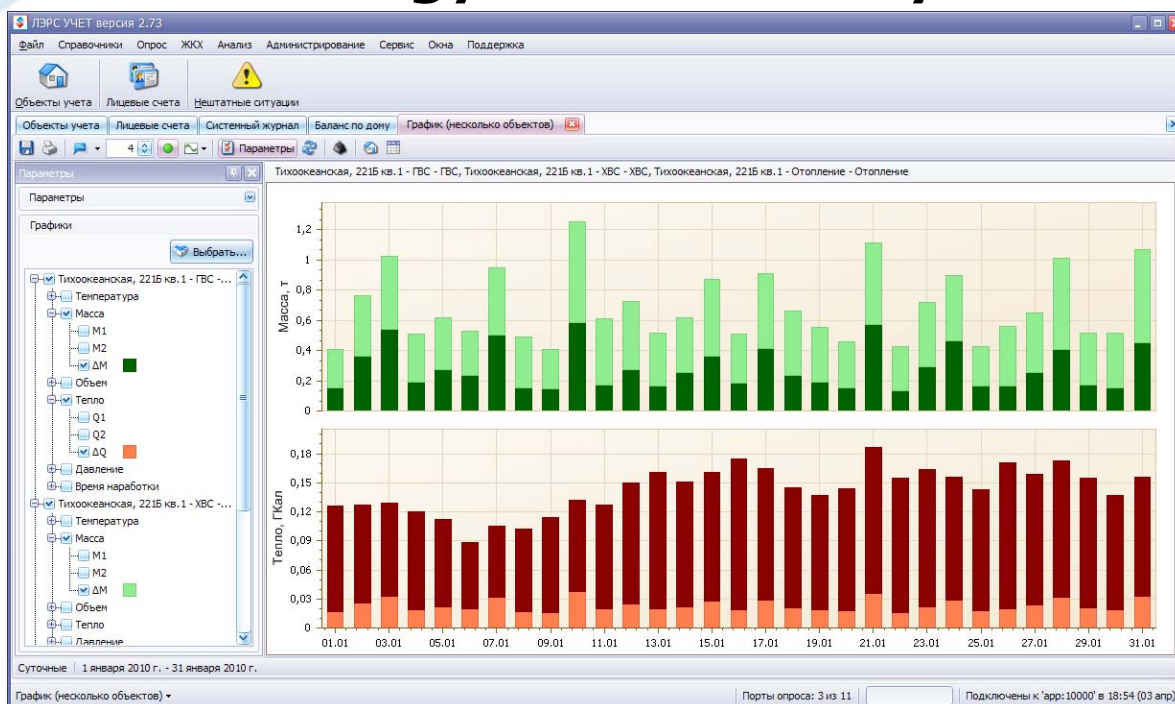




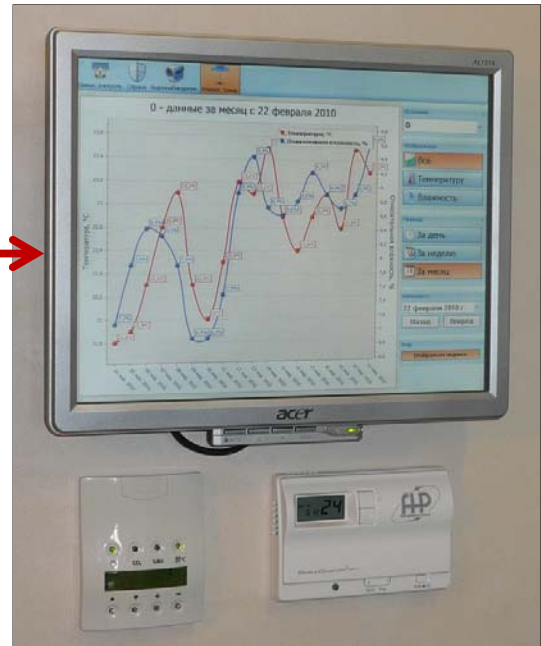
Individual Automatic Energy Meters



LERS of Housing and Public Utilities: Energy Calculation System



Utilization of «Smart House» System



Utilization of Solar Energy for Hot Water Supply



LED Street lamp



Energy Conservation House

Result : Saving

60%

of Thermal Energy



«Siemens» Headquarter building in Moscow (LEED «Gold»)



Factory «Hamilton Standard –Science» in Kimry (LEED «Silver»)



Business Center «Japan House» in Moscow
(BREEAM In-Use «Khorosho»)



“Passive house” in Yudznoe Butovo (Moscow) (Passive house certificated)



Bolshoi Ice Dom in Sochi (BREEAM Bespoke)



Contact information:

Company: «Khabarovskiy Center
Energoresyrsosberezheniya»
Address: 680033, Khabarovsk,
Tikhookeanskaya, 221a
Tel: +7 (4212) 72-55-01
Fax: +7 (4212) 72-55-02
E-mail: info@lers.ru
Website: www.lers.ru